

PRODUCT INFORMATION PACKET

Model No: 048A11O1583

Catalog No: X023

1 HP 3 speed Fan and Blower HVAC/R Motor, 1 phase, 1200 RPM, 230 V, 48Y Frame, OPAO
Direct Drive Motors





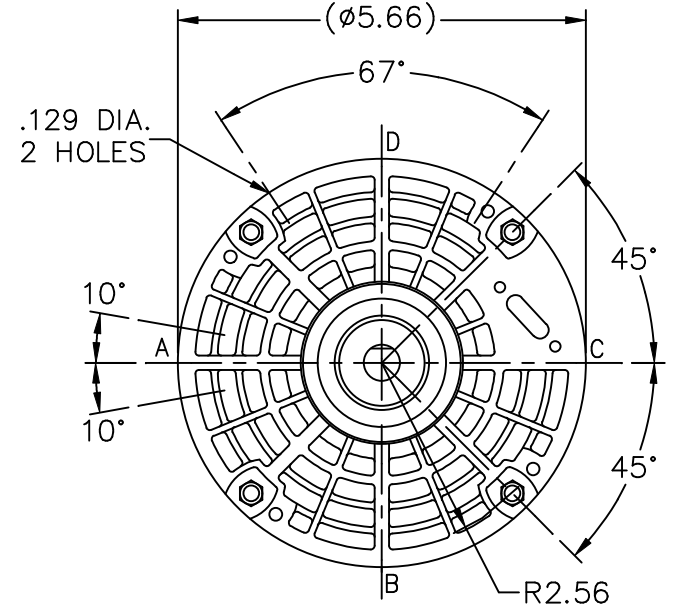
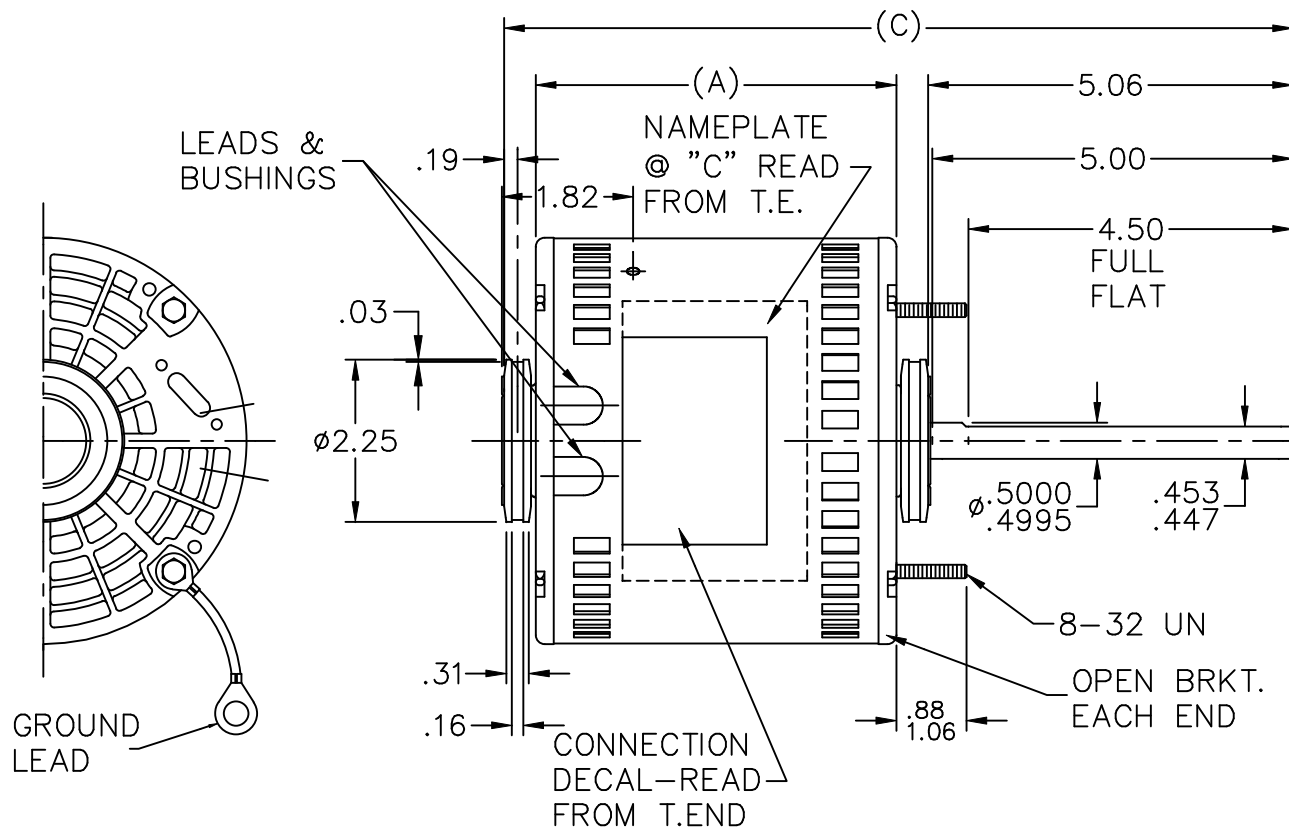
Nameplate Specifications

Output HP	1 Hp	Output KW	0.75 kW
Frequency	60 Hz	Voltage	230 V
Current	5.3 A	Speed	1075 rpm
Service Factor	1	Phase	1
Efficiency	68 %	Power Factor	95
Duty	Continuous	Insulation Class	B
Design Code	NO DESIGN CODE	KVA Code	A
Frame	48Y	Enclosure	Open Air Over
Thermal Protection	Automatic Lock Rotor Only	Ambient Temperature	40 °C
Drive End Bearing Size	6203	Opp Drive End Bearing Size	6203
UL	Recognized	CSA	Y
CE	N	IP Code	01

Technical Specifications

Electrical Type	Permanent Split Capacitor	Starting Method	Across The Line
Poles	6	Rotation	Selective Counterclockwise
Mounting	Resilient Ring - Extended Studs	Motor Orientation	Horizontal
Drive End Bearing	Ball	Opp Drive End Bearing	Ball
Frame Material	Rolled Steel	Shaft Type	Single Special Extension
Overall Length	12.44 in	Frame Length	6.00 in
Shaft Diameter	0.500 in	Shaft Extension	5.06 in
Assembly/Box Mounting	F1 ONLY		
Outline Drawing	A-SS75137-600	Connection Drawing	6906493

This is an uncontrolled document once printed or downloaded and is subject to change without notice. Date Created:04/01/2021



TERM. END

LEAD DESCRIPTION:

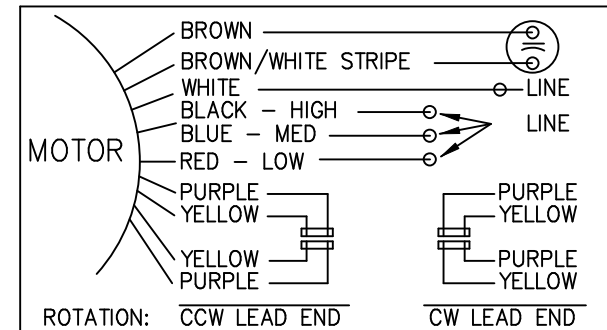
1 WHITE, 1 BLACK, 1 BLUE, & 1 RED, LEAD WITH .50 BARE WIRE STRIP. 30.00" LONG

2 BROWN LEADS WITH .25 FLAG-TYPE QUICK CONNECTS 30.00" LONG. WHITE MARKED LEAD IS COMMON TO WHITE.

REVERSING LEADS ARE MOLDED INTO MATING PULL-APART PLUGS. 1 YELLOW & 1 PURPLE LEAD PER PLUG. 5.00" LONG.

GREEN GROUND LEAD WITH TERM. FOR #10 SCREW 12.00" LONG.

DASH	FR.	C	A
500	48Y	11.44	5.50
525	48Y	11.69	5.75
550	48Y	11.94	6.00
600	48Y	12.44	6.50



NO.	REVISION	BY & DATE	CHK	TOLERANCES UNLESS SPECIFIED	
				DEC.	INCHES
5	UPDATED DRAWING	TJW 04/16/2007	.X	±.1	
4	REDRAWN IN AUTOCAD	TAT 08-03-2004	ML	.XX	±.03
3	UPDATED FRAME VENTS	HLB 01-22-2001		.XXX	±.005
2	REDRAWN & REVISED LEAD LENGTHS	CN 21149 BLR 09-29-1995		.XXXX	±.0005
				ANG	±7'30"

MARATHON ELECTRIC

TITLE OUTLINE

MAT'L.

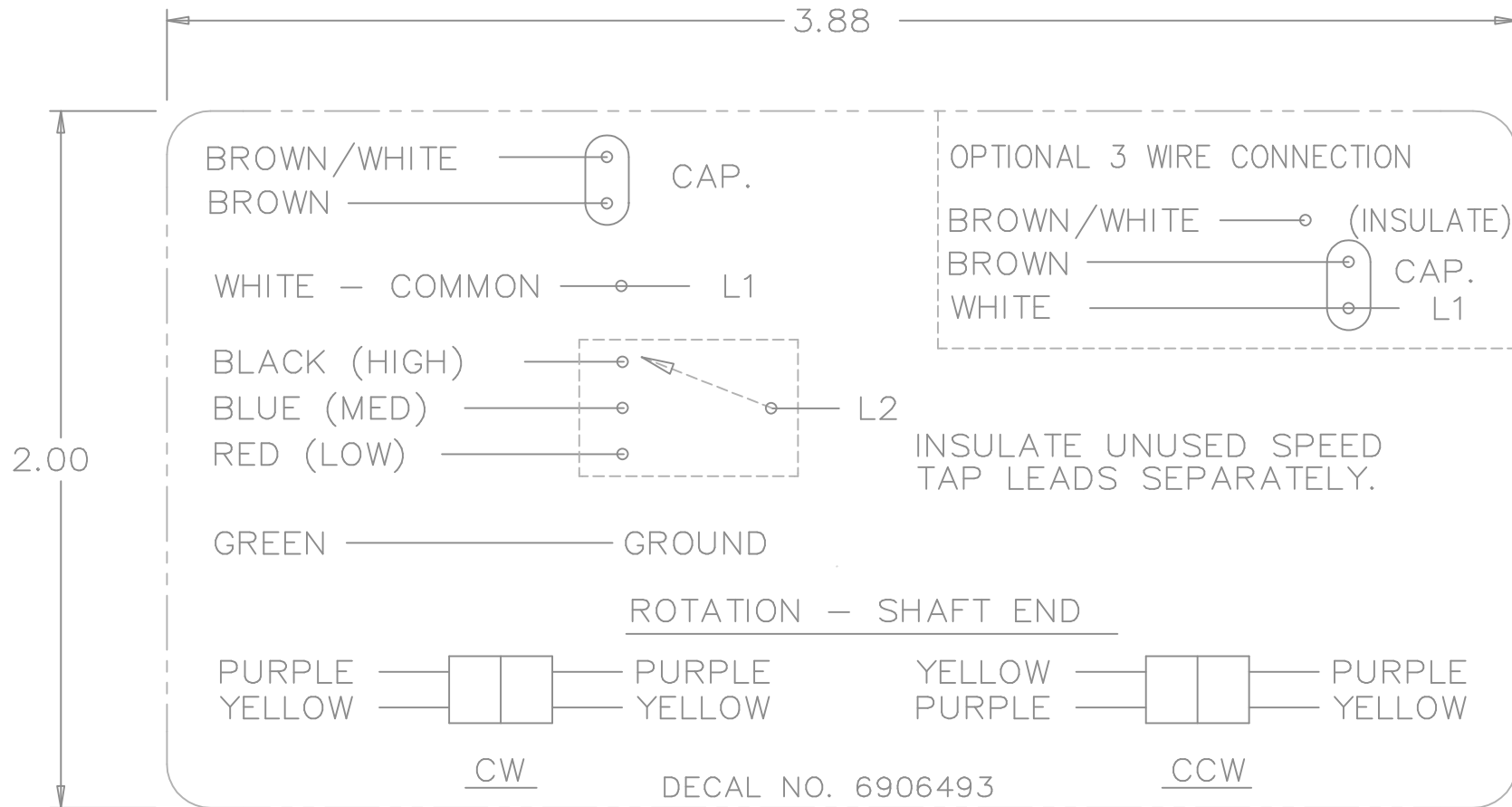
FINISH

CAD FILE ss75137

DRAWN	BLR 09-20-1995
CHK	DA 09-29-1995
APPD	GK 09-29-1995
SCALE	3=8
REF	
FMF	
PREV	

THIS DRAWING IN DESIGN AND DETAIL IS OUR PROPERTY AND MUST NOT BE USED EXCEPT IN CONNECTION WITH OUR WORK ALL RIGHTS OF DESIGN AND INVENTION ARE RESERVED THIS IS AN ELECTRONICALLY GENERATED DOCUMENT - DO NOT SCALE THIS PRINT

RFP		SIZE	DRAWING NO.	PAGE	OF	REV.
DIST	WP	A	SS75137			5



				TOLERANCES UNLESS SPECIFIED		REGAL-BELOIT <i>Motor Technologies</i>	DRAWN MRB 04-16-1998				
				DEC.	INCHES		CHK	ML	04-22-1998		
				.X	±.1		APPD	GK	04-22-1998		
3	REMOVED 'MARATHON ELECTRIC' CN 35106	DRS 05-01-2002	TOM	.XX	±	TITLE CONNECTION DECAL	SCALE	1=1			
2	PART NAME WAS CONNECTION DIAGRAM CN 25669	MRB 04-25-1998		.XXX	±.005		REF				
1	NEW DRAWING CN 25669	MRB 04-22-1998		.XXXX	±.0005	MAT'L.	FMF				
NO.	REVISION	BY & DATE	CHK	ANG	±	FINISH	PREV				
THIS DRAWING IN DESIGN AND DETAIL IS OUR PROPERTY AND MUST NOT BE USED EXCEPT IN CONNECTION WITH OUR WORK ALL RIGHTS OF DESIGN AND INVENTION ARE RESERVED THIS IS AN ELECTRONICALLY GENERATED DOCUMENT - DO NOT SCALE THIS PRINT				RFP	CAD FILE 6906493		SIZE	DRAWING NO.	PAGE	OF	REV.
				DIST	WP		A	6906493			3

** Subject to change without notice.



MARATHON ELECTRIC CORPORATION
TYPICAL PERFORMANCE CURVE for AC MOTOR

Customer

Curve at

230

Volts

HP 1.00

PHASE 1

Model No 48A11O1583

60

HZ

VOLTS 230

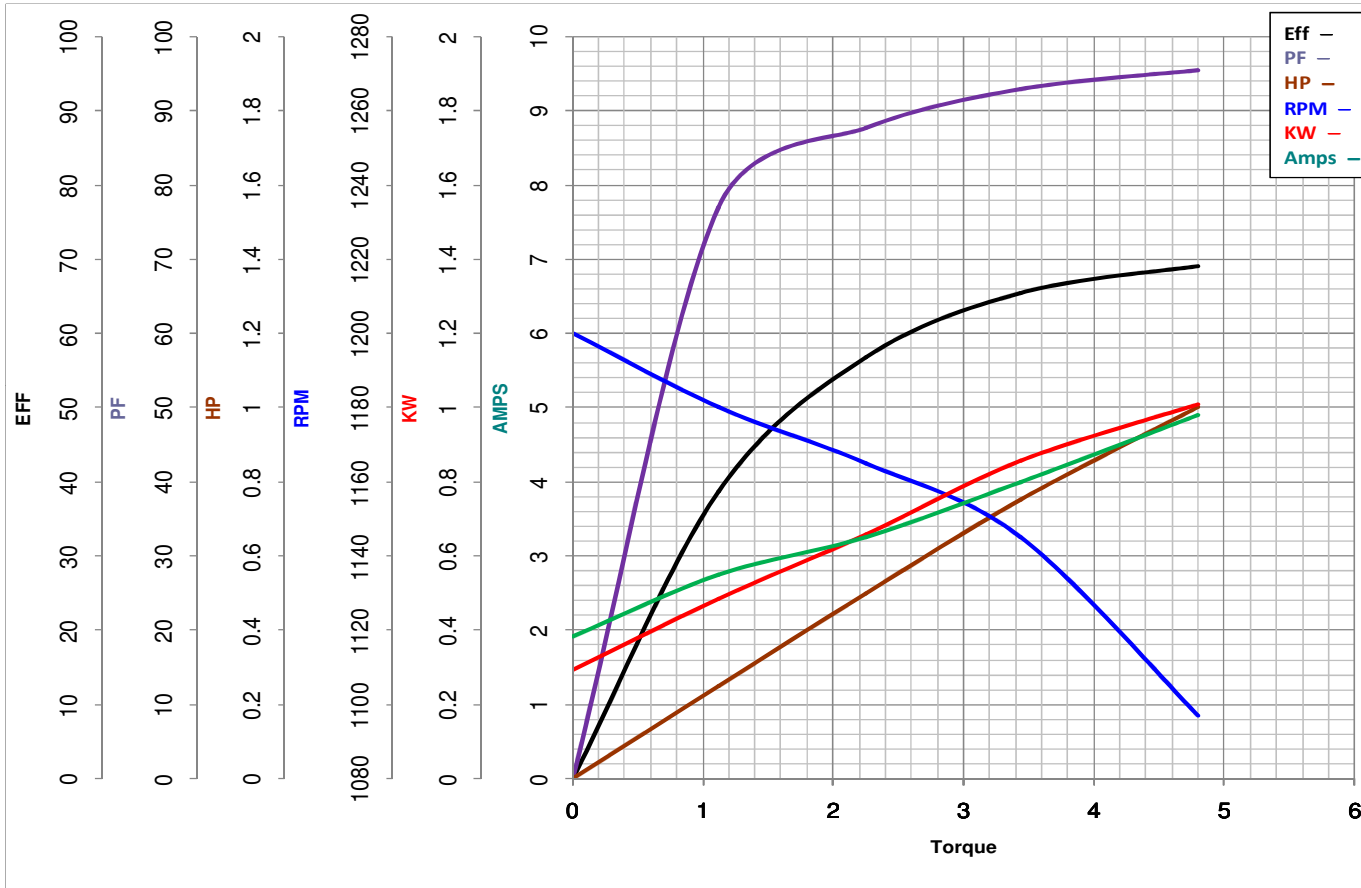
1

HP

Catalog No X023

HZ 60

RPM 1075



Torque in Lb.Ft

FL TORQUE 4.794 Lb.Ft
BD TORQUE 6.6 Lb.Ft
LR TORQUE 1.819 Lb.Ft

FL AMPS 5.3
PU TORQUE 1.7 Lb.Ft
LR AMPS 12.6

WINDING PE4861650-2

Date 1/16/2019